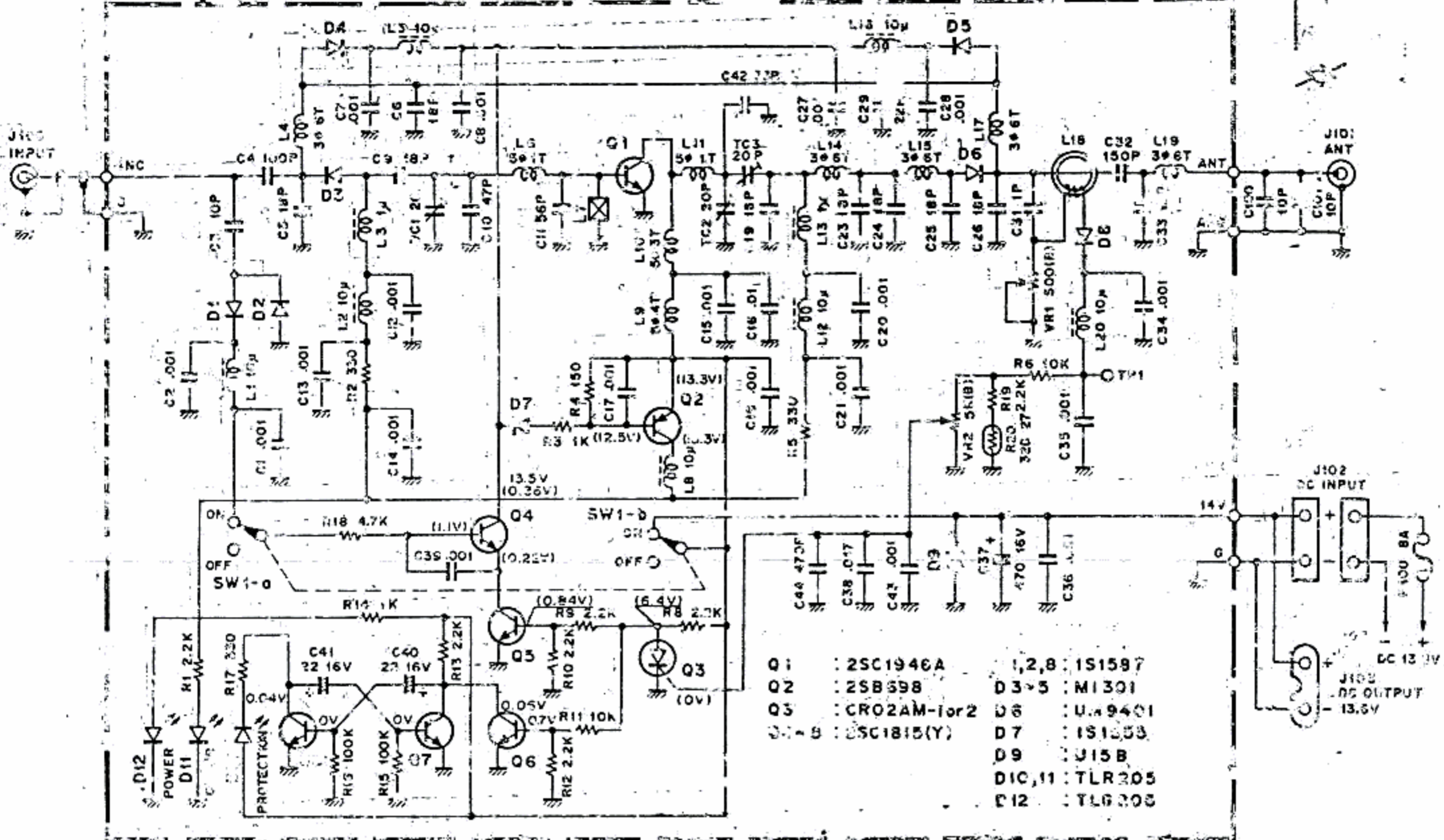


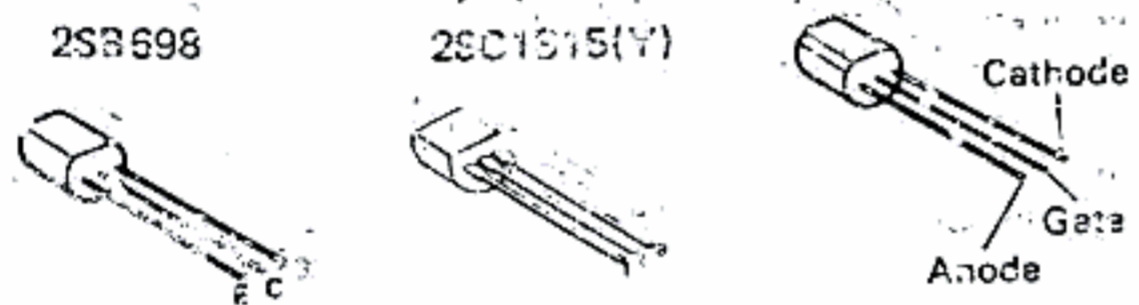
VB-2530 SCHEMATIC

(X45-1260-10)

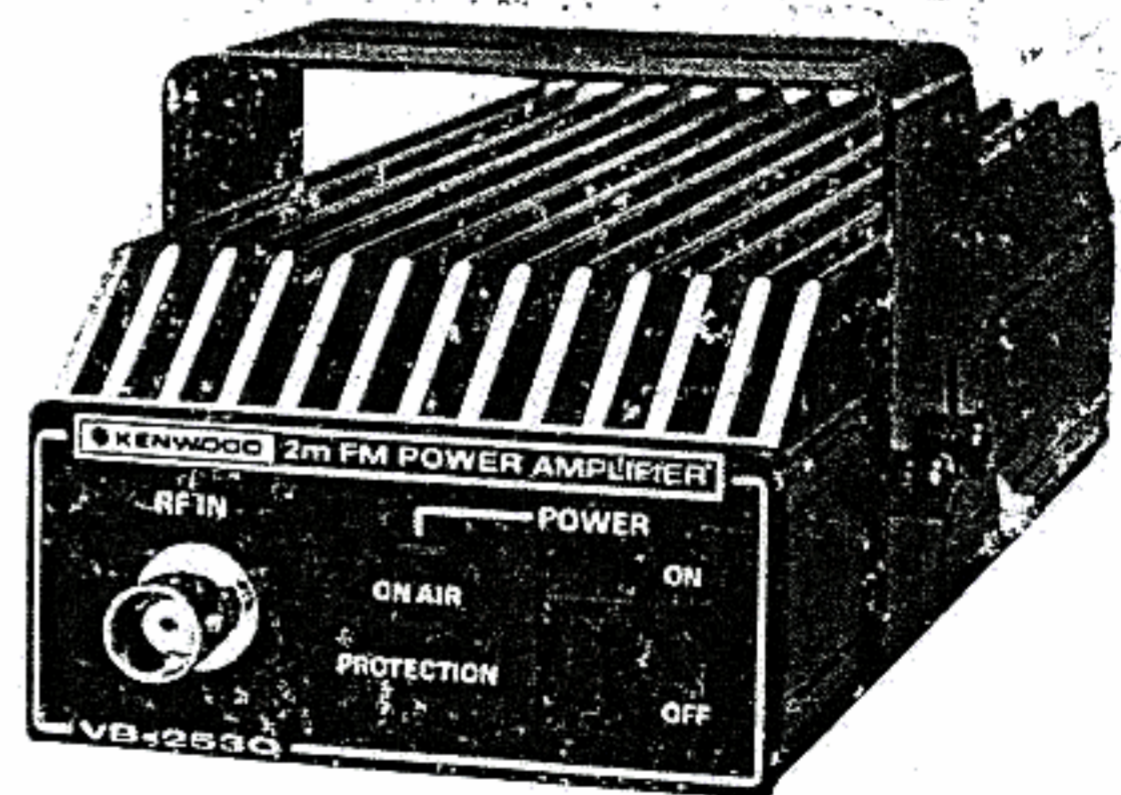
TLR205
TLG205



- Q1 : 2SC1946A
- Q2 : 2SB698
- Q3 : CRO2AM-1or2
- Q4 : 5
- Q5 : 5C1815(Y)
- Q6 : 1,2,8 : 1S1597
- Q7 : 3 : M1301
- Q8 : U.A.9401
- Q9 : 1S1553
- Q10 : U15B
- Q11 : TLR205
- Q12 : TLG205



- SPECIFICATIONS**
- Frequency range: 114 to 148 MHz
 - Mode: F3 (FM)
 - Input and Output impedance: 50Ω (unbalanced)
 - Power requirement: 13.8V DC ± 15%
 - Grounding: Negative ground
 - Current drain: 5.5A approx.
 - Semiconductors complement: 8 Transistors, 12 Diodes
 - Operating temperature: -20°C ~ +50°C
 - RF output power: 25W (Drive power 2.5W)
 - Drive power: 1 to 4W
 - Spurious radiation: Less than -60dB
 - Dimensions: 75 (2-15/16)W x 48 (1-7/8)H x 170 (6-11/16)D mm (inch)
 - Weight: 620g approx. (1.37 lbs.)



SCHEMATHEEK
Beh. T. Hultermans
Postbus 4228
5604 EE Eindhoven

